

# esybox mini<sup>3</sup>

ELECTRONIC PRESSURISATION SYSTEM

 **BUILT-IN  
CONNECTIVITY**

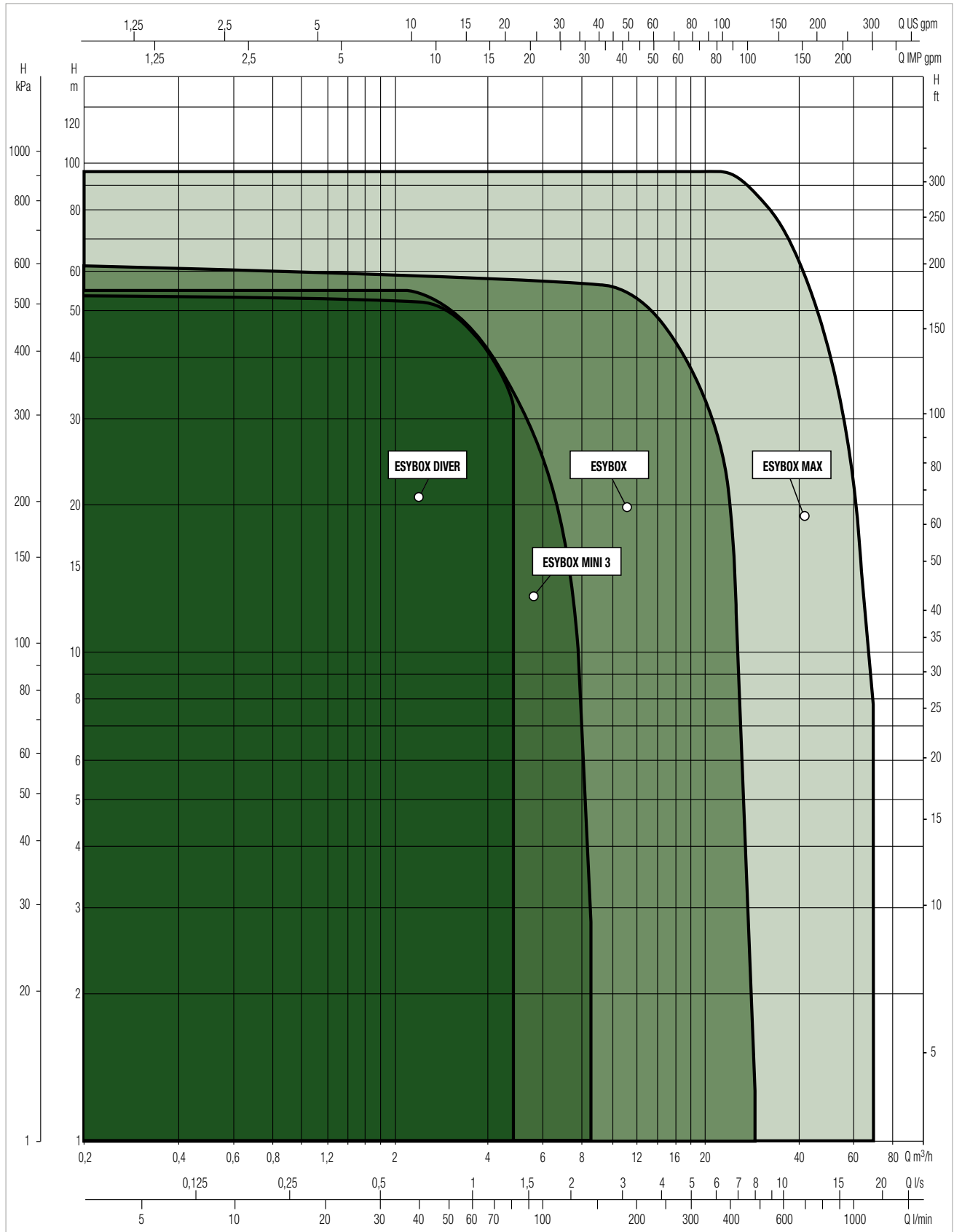




## PERFORMANCE RANGE

The performance curves are based on kinematic viscosity values = 1 mm<sup>2</sup>/s and density equivalent to 1000 kg/m<sup>3</sup>. Curve tolerance according to ISO 9906.

### GRAPHIC SELECTION TABLE



# ESYBOX MINI<sup>3</sup>

## ELECTRONIC PRESSURISATION SYSTEM

### TECHNICAL DATA

**Flow rate:** 4,8 m<sup>3</sup>/h

**Head:** 55 m

**Type of pumped liquid :** Clean, free from solid or abrasive substances, non-viscous, non-aggressive, non-crystallized and chemically neutral

**Liquid temperature:**

From +0°C to +35°C for domestic use

From +0°C to +40°C for other use

**Maximum ambient temperature:** +50°C

**Maximum Suction depth:** 8 m

**Maximum Operation pressure:** 7,5 bar / 750 kPa

**Motor protection class:** IP X4

**Motor insulation class:** F

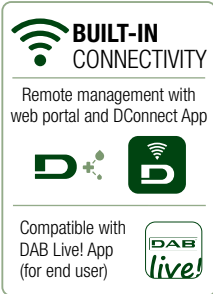
**Impeller material:** Technopolymer

**Single phase power input:** 230 V 50 Hz

**Power cord (m) and plug:** 1,5 meter with power plug

**Type of installation:** Fixed, vertically, horizontally or on the wall with special accessories (supplied separately)

**Certification:** WRAS, ACS,NFS



Electronic self-priming multi-impeller pressurization system for domestic pressurization, rainwater reuse, ground water, gardening and irrigation and for watering small gardens in residential building service. It is possible to create groups of max two pumps. It supports the remote control function thanks to the DConnect service integrated directly into the system.

### CONSTRUCTION FEATURES OF THE PUMP

Self-priming multi-impeller pump. Protective hull in sound-absorbing ABS. Technopolymer impellers. Motor shaft in stainless steel. Non-return valve and integrated expansion vessel.

### CONSTRUCTION FEATURES OF THE MOTOR

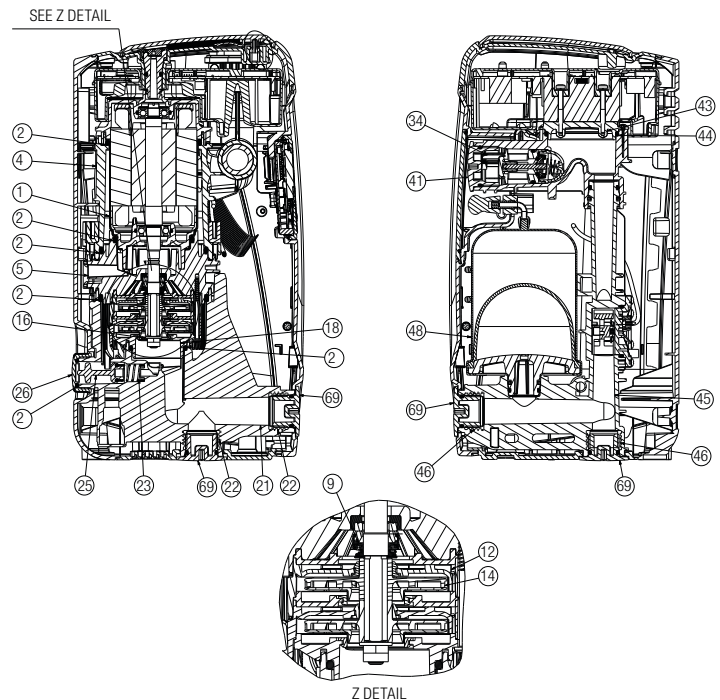
Motor cooled by pumped liquid, stainless steel motor jacket. Complete with power cable and plug.

### CONSTRUCTION FEATURES OF THE ELECTRONIC

Adjustable display. The variable frequency drive function saves energy and protects against water hammer. Guided procedure for the first start-up, easy configuration, possibility to view the alarm history.

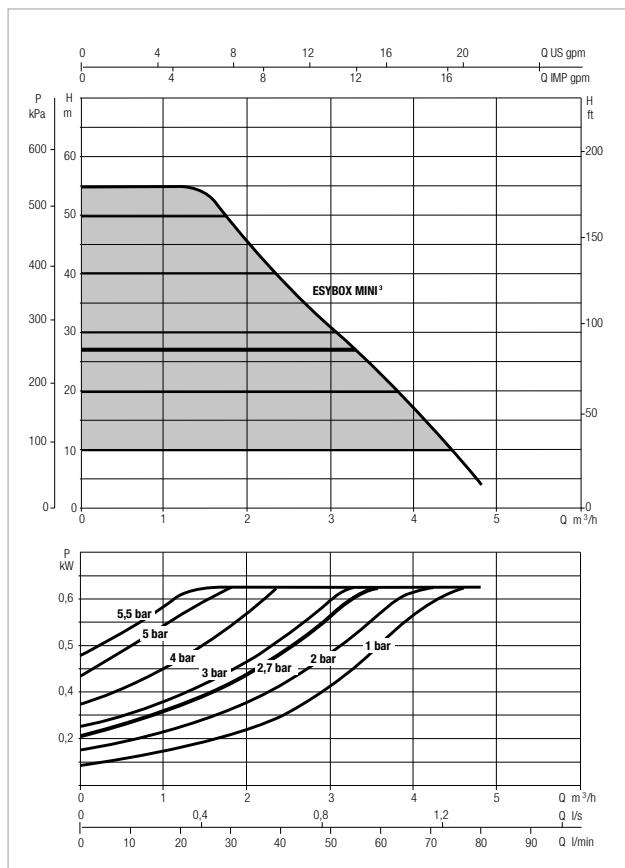
## MATERIALS

N°	PARTS	MATERIALS
1	MOTOR SLEEVE	STAINLESS STEEL AISI 304
2	O-RING	NBR
4	MOTOR BODY	PP OMO 30% GF
5	MECHANICAL SEAL DISC	PA 6.6 30% GF
9	MECHANICAL SEAL	CARBON IMPREGNATED RESIN / CERAMIC / NBR
12	DIFFUSER	NORYL
14	IMPELLER	NORYL
21	SUCTION BODY	PP OMO 30% GF
22	INSERT 1"	BRASS
23	SHUTTER SPRING	STAINLESS STEEL AISI 303
25	SELFPRIMING SHUTTER	POM
26	1" PLUG	PP OMO 30% GF
34	NON RETURN VALVE	TECHNOPOLYMER / RUBBER / STEEL
41	1" 1/4 PLUG	PA 6.6 30% GF
43	HEAT SINK	BRASS
45	DELIVERY BODY	PP OMO 30% GF
46	INSERT 1"	BRASS
48	VESSEL 1L	TECHNOPOLYMER / RUBBER
51	FLOWMETER WHEEL	POM
56	PRESSURE SENSOR BODY	TECHNOPOLYMER
69	1" PLUG	PA 6.6 30% GF

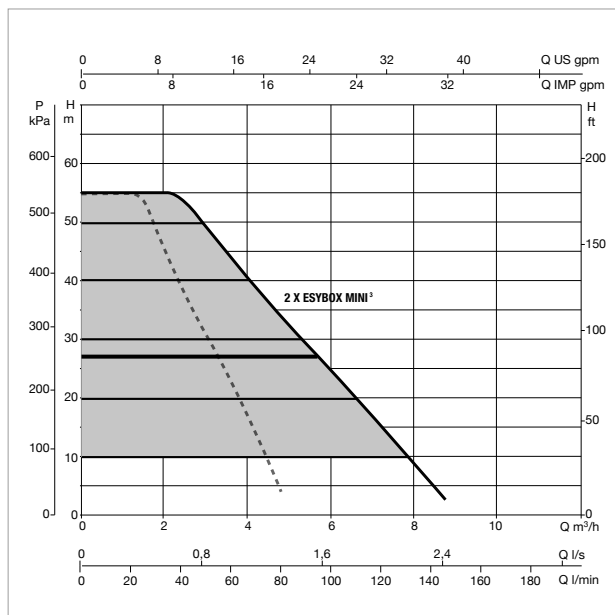


# ESYBOX MINI<sup>3</sup> - ELECTRONIC PRESSURISATION SYSTEM

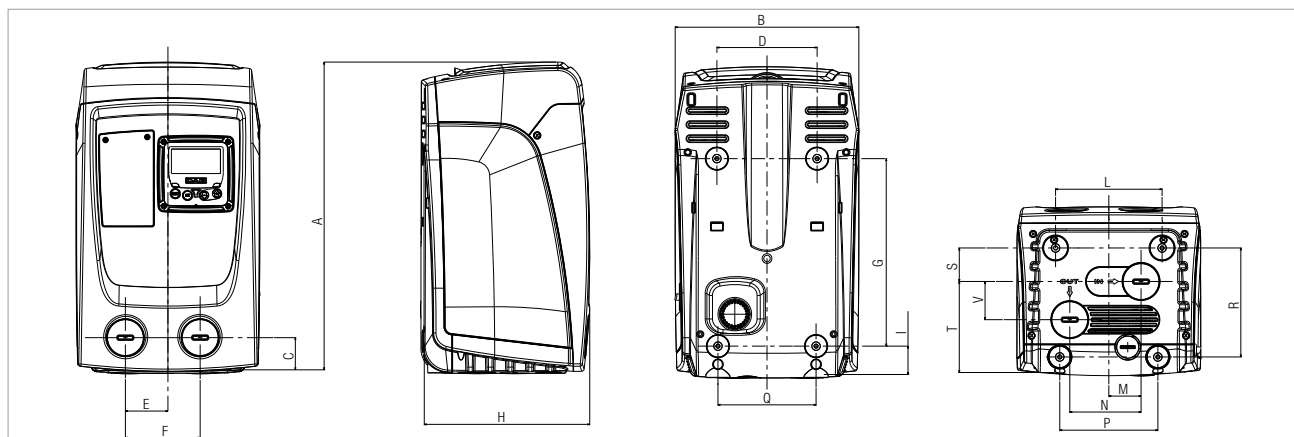
Liquid temperature range: from 0°C a +35°C for domestic use - from 0°C a +40°C for other uses. Maximum ambient temperature: +50°C



The performance curves are based on the kinematic viscosity values = 1 mm<sup>2</sup>/s and density equivalent to 1000 kg/m<sup>3</sup>. Curve tolerance according to ISO 9906.



The performance curves are based on the kinematic viscosity values = 1 mm<sup>2</sup>/s and density equivalent to 1000 kg/m<sup>3</sup>. Curve tolerance according to ISO 9906.



MODEL	Q=m <sup>3</sup> /h	0	0,6	1,2	1,8	2,4	3	3,6	4,2	4,8	5,4	6	6,6	7,2
		Q=l/min	0	10	20	30	40	50	60	70	80	90	100	110
ESYBOX MINI <sup>3</sup>	H (m)	55	55	55	49	39	31	23	14	4				

MODEL	Q=m <sup>3</sup> /h	0	1,2	2,4	3,6	4,8	6	7,2	8,4	9,6	10,8	12	13,2	14,4
		Q=l/min	0	20	40	60	80	100	120	140	160	180	200	120
2 X ESYBOX MINI <sup>3</sup>	H (m)	55	55	54	45	34	26	16	6					

MODEL	ELECTRICAL DATA				
	N° IMPELLER	POWER INPUT 50/60 Hz	P1 MAX		In A
			kW	HP	
ESYBOX MINI <sup>3</sup>	3	1x220-240 V ~	0,85	1,1	4,8

MODEL	A	B	C	D	E	F	G	H	I	L	M	N	P	Q	R	S	T	V	DNA	DNM	PACKING DIMENSIONS			WEIGHT Kg
	L/A	L/B	H																					
ESYBOX MINI <sup>3</sup>	439	263	46	143	60,7	106,7	279,5	236	40,5	152	46	101,7	140	140	155,5	47,8	133	54,5	1"	1"	300	500	320	14,6

# DCONNECT DIGITAL SERVICES

## REMOTE CONTROL FOR ELECTRONIC RESIDENTIAL AND COMMERCIAL SYSTEMS

The DConnect service offers simple and intuitive remote control of your installation, without the need of a server or specialist personnel.

**With DConnect, you can remotely manage your installations as if you were right in front of them.**

Thanks to the system operation charts, you will also be able to optimise operation. You will also receive prompt notifications of any system faults.

### DCONNECT WEB PORTAL:

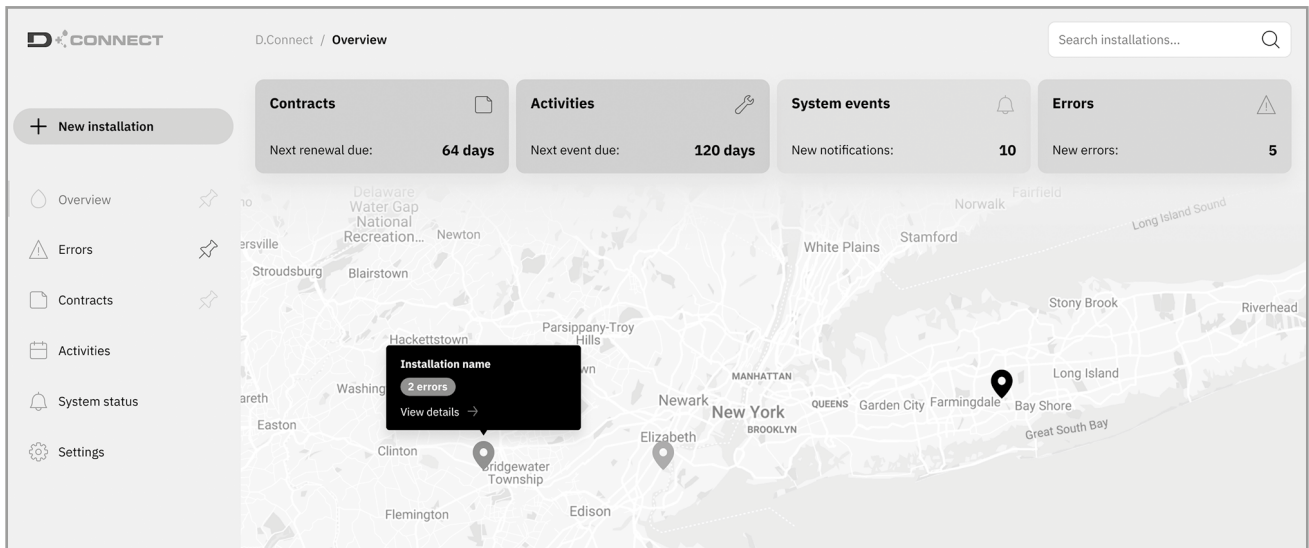
**Complete supervision, from your office**

Web portal that centralizes all systems and provides advanced and high value features: monitoring and control, data analysis, performances optimization. Optimized for larger screens allows you to monitor and control remotely your systems.

### DCONNECT ALLOWS YOU TO:

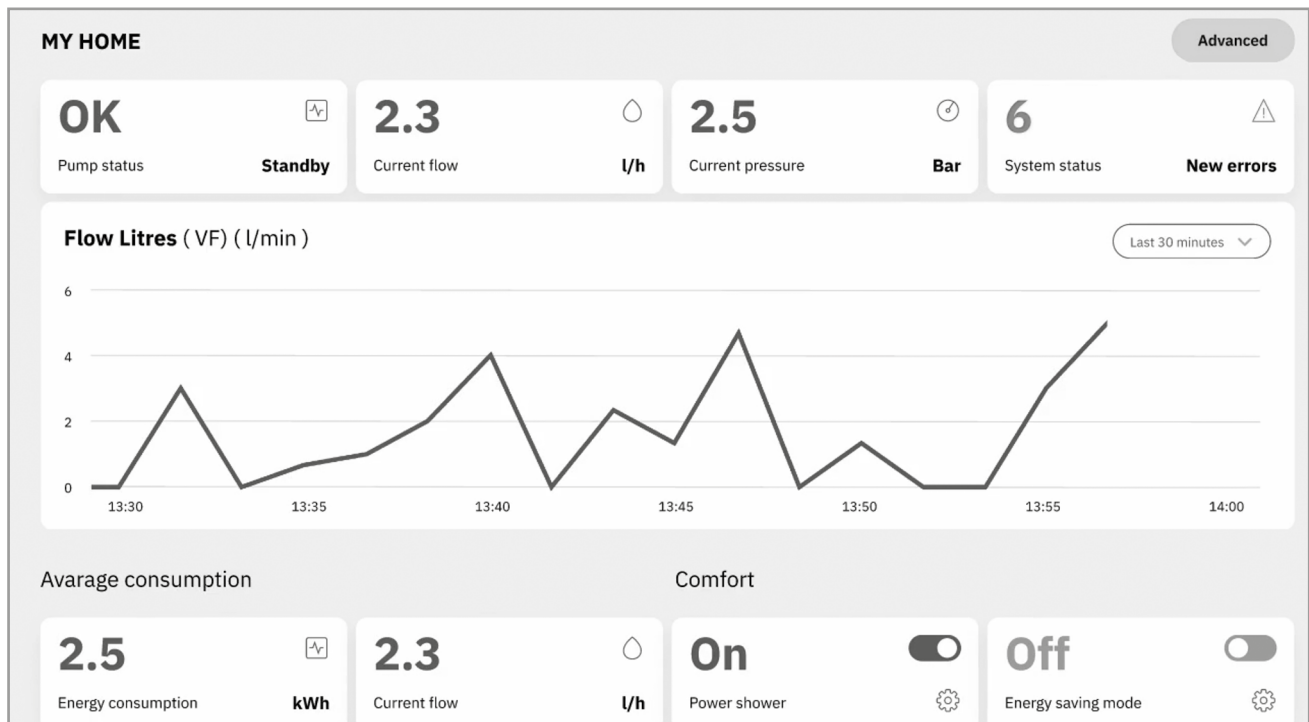
#### EASILY MONITOR YOUR SYSTEMS

The installations with green status are OK, while the orange ones need attention, and the red ones are experiencing problems.



### TAKE ANY NECESSARY ACTIONS AS IF YOU WERE RIGHT IN THE PUMP ROOM

Using the internet site or the APPs, you will be able to easily and quickly control your systems.



### REMOTE ALARMS

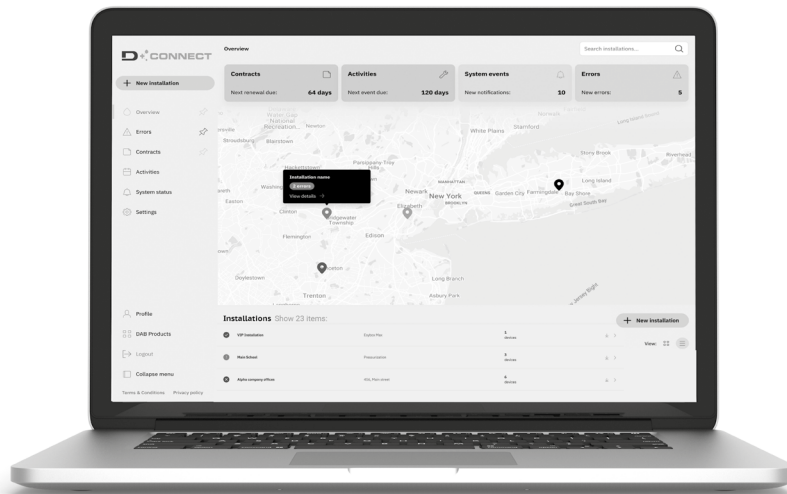
In case of alarm, the DConnect service will promptly send you a notification, so that you can check what is happening and organise a visit to the system before the issue becomes an emergency for your customer.



# DCONNECT DIGITAL SERVICES

## REMOTE CONTROL FOR ELECTRONIC RESIDENTIAL AND COMMERCIAL SYSTEMS

In order to use the DConnect service, registration and connected products are required.  
Connect to the website: <https://dconnect.dabpumps.com> using Internet Browsers such as Microsoft Edge or Google Chrome.



### DCONNECT

#### A WORK TOOL AT YOUR FINGERTIPS

Mobile app for devices local setup, remote supervision, device monitoring, configuration for all your systems and parameters tuning. You can be informed on your installation status and perform maintenance whenever you are.

All the power and flexibility of the DConnect web portal in your pocket.

The Android and iOS DConnect APPs can be downloaded from the relevant Stores:



### APP DAB LIVE!

Available for EsyBox Mini<sup>3</sup>



It makes easier for end users to supervise domestic systems in order to optimize consumption and maximize comfort, also thanks to Power Shower and Sleep Mode functions.

### WHAT PRODUCTS CAN YOU MANAGE USING THE DCONNECT SERVICE?

NgDrive, NgPanel, MCE/P, MCE/C, ADAC, Active Driver Plus, Ebox, Evoplus, EsyBox (old version), EsyBox Mini<sup>3</sup>, EsyBox Diver, Dtron 3, EsyBox Max.

For more information visit: [www.internetofpumps.com](http://www.internetofpumps.com)

## DCONNECT DIGITAL SERVICES

#### DATA RETENTION 1 MONTH MONITORING AND CONTROL

##### BASIC PACKAGE

1 YEAR SERVICE

#### DATA RETENTION 12 MONTH MONITORING AND CONTROL

##### PLUS 12 PACKAGE

1 YEAR SERVICE


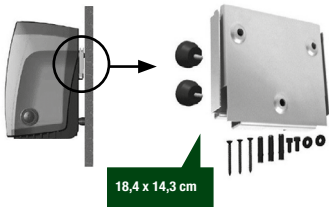
##### PLUS 36 PACKAGE

3 YEARS SERVICE

2 trial months included Possibility to upgrade to a higher package at any time.




	DESCRIPTION
 <p>*Esybox Mini<sup>3</sup> not supplied with ESyTank</p> <p>166 x 87 x 60 cm</p>	<h3>ESyTANK 500 MINI</h3> <p>Tank specially studied to better integrate with EsyBox Mini<sup>3</sup> and equipped with:</p> <ul style="list-style-type: none"> <li>• ESyDock (specially versioned) for quick connection.</li> <li>• Suction hose with foot valve</li> <li>• Filling valve from the water supply with float</li> <li>• Overflow</li> <li>• Flow connection</li> <li>• Preparation for ground mounting</li> <li>• Inspection plug</li> </ul> <p>Capacity 500 L with the possibility of expansion on 3 sides.</p>
 <p>*Esybox Mini<sup>3</sup> not supplied with ESyTank</p> <p>115 x 81 x 57 cm</p>	<h3>ESyTANK 300 MINI</h3> <p>Tank specially studied to better integrate with EsyBox Mini<sup>3</sup> and equipped with:</p> <ul style="list-style-type: none"> <li>• ESyDock (specially versioned) for quick connection.</li> <li>• Suction hose with foot valve</li> <li>• Filling valve from the water supply with float</li> <li>• Overflow</li> <li>• Flow connection</li> <li>• Preparation for ground mounting</li> <li>• Inspection plug</li> </ul> <p>Capacity 300 L</p>
	<h3>ESyTANK AUXILIARY CISTERN</h3> <p>The ESyTank auxiliary cistern is supplied without any fittings or the ESyDock. The tank has a modular design to couple easily with other ESyTank units, making the system expandable to the necessary capacity. It can be connected on three sides (at side and rear) using the ESyTank TANK COUPLING KIT.</p>
	<h3>ESyTWIN MINI</h3> <p>Thanks to the 4 plumbing configuration possibilities offers an 'installation even more rapid, easy and flexible. It is complete with all the interfaces required for connecting to the system. It incorporates anti vibration feet to ensure the same quietness as ESyBox.</p>

	DESCRIPTION
	<h3>KIT PIPE UNION 3PCS MF 1" WITH O-RING</h3> <p>Kit consisting of 2 x 3-piece unions, to facilitate the connection of EsyBox Mini<sup>3</sup> to the system.</p>
 <p>18,4 x 14,3 cm</p>	<h3>ESyWALL</h3> <p>It complete with brackets, screws, dowels and two accessories for absorption of vibrations.</p>



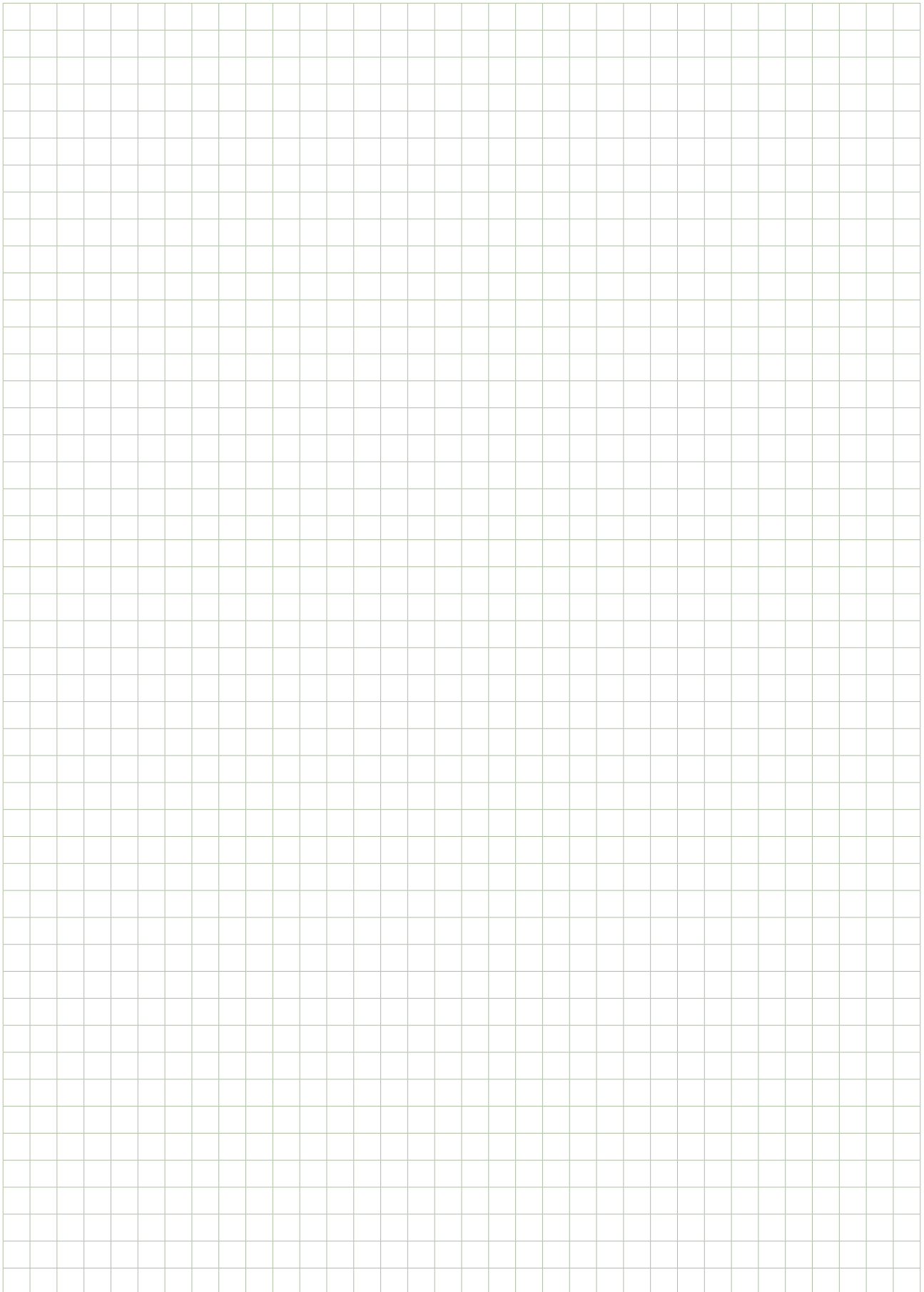
# ACCESSORIES

ESYBOX MINI<sup>3</sup>

KIT OUTDOOR	DESCRIPTION
	<h2>ESYCOVER + ESYGRID</h2> <p><b>KIT OUTDOOR ESYBOX MINI<sup>3</sup></b> Consisting of ESYCover + ESYGrid, which allows the installation of ESYBox Mini<sup>3</sup> outside, protecting it from rain and the entry of foreign bodies. <b>Vertical installation only.</b></p>

---

# NOTES





# DNA<sup>®</sup>

PUMPS SELECTOR

## On-line selection tool



**DAB PUMPS LTD.**

Unit 6 Gilbert Court  
Newcomen Way, Severalls Park  
CO4 9WN  
Colchester  
ordersuk@dwtgroup.com  
Tel. +44 0333 777 5010



**DAB PUMPS IBERICA S.L.**

Calle Verano 18-20-22  
28850 - Torrejón de Ardoz - Madrid  
Spain  
Info.spain@dwtgroup.com  
Tel. +34 91 6569545



**DAB PUMPS (QINGDAO) CO. LTD.**

No.10 Xindong Road  
Jiulong Town,  
Jiaozhou City  
266319 Qingdao (Shandong) - China  
sales.cn@dwtgroup.com  
Tel. +86 400 186 8280



**DAB PUMPS BV**

'tHofveld 6 C1  
1702 Groot Bijgaarden - Belgium  
info.belgium@dwtgroup.com  
Tel. +32 2 4668353



**DAB PUMPS HUNGARY KFT.**

H-8800  
Nagykanizsa, Buda Ernő u.5  
Hungary  
Tel. +36 93501700



**DAB PUMPS DE MÉXICO, S.A. DE C.V.**

Av Amsterdam 101 Local 4  
Col. Hipódromo Condesa,  
Del. Cuauhtémoc CP 06170  
Ciudad de México  
Tel. +52 55 6719 0493



**DAB PUMPS B.V.**

Statenlaan, 4  
5223 LA, 's-Hertogenbosch  
Nederland  
info.nl@dabpumps.com  
Tel. +31 416 387280



**DAB PUMPS POLAND Sp. z o.o.**

Ul. Janka Muzykanta 60  
02188 Warszawa - Poland  
sprzedaz@dabpumps.com.pl



**DAB PUMPS OCEANIA PTY LTD**

426 South Gippsland Highway,  
Dandenong South VIC 3175 - Australia  
info.oceania@dwtgroup.com  
Tel. +61 1300 378 677



**DAB PUMPS GMBH**

Am Nordpark 3  
D - 41069 Mönchengladbach - Germany  
info.germany@dwtgroup.com  
Tel. +49 2161 47388-0  
Fax +49 2161 47388-36



**DAB PUMPS SOUTH AFRICA (PTY) LTD**

Twenty One industrial Estate,  
16 Purlin Street, Unit B, Warehouse 4  
Olifantsfontein - 1667 - South Africa  
info.sa@dwtgroup.com  
Tel. +27 12 361 3997



**PT DAB PUMPS INDONESIA**

Satrio Tower lantai 26  
unit C-D, Jl. Prof. Dr. Satrio Kav. C4,  
Kel. Kuningan Timur, Kec. Setiabudi, Kota Adm.  
Jakarta Selatan, Prov. DKI Jakarta. - Indonesia  
Tel. +62 2129222850