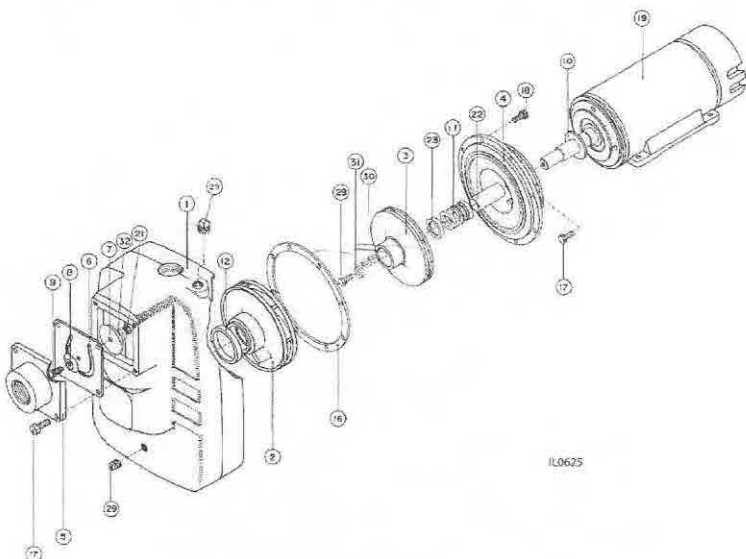


SELF-PRIMER PUMP REPAIR PARTS "SPM" SERIES (For Pricing Refer To Repair Parts Price List)



a) SPM30A1 b) SPM30A3 c) SPM50A1 d) SPM50A3

Ref.	Part No.	a	b	c	d	Description
1	020595	1	1	1	1	Casing
2	020562	1	1	1	1	Diffuser
3	020560	1	1			Impeller
3	020561			1	1	Impeller
4	020606	1	1	1	1	Adapter
5	020558	1	1			Valve Body
5	020559			1	1	Valve Body
6	020565	1	1	1	1	Valve Gasket
7	+	1	1	1	1	Top Weight
8	+	1	1	1	1	Bottom Weight
9	*	1	1	1	1	Hex HD. bolt 1/4UNC x 1 1/2 IN PL
10	+	1		1	1	Flinger
10	+		1			Flinger
11	020563	1	1	1	1	Seal
12	020596	1	1	1	1	Diffuser Ring
16	020564	1	1	1	1	Gasket
17	*	8	8	8	8	Hex HD. Bolt 3/8 UNC x 1
18	*	8	8	8	8	Hex HD. Bolt 3/8 UNC x 7/8
19	134962	1				Motor 3HP*1PH*230V
19	134965		1			Motor 3HP*3PH*230/460V
19	134963			1		Motor 5HP*1PH*230V
19	134966				1	Motor 5HP*3PH*230/460V
21	*	1	1	1	1	Hex Nut 1/4UNC ZN PL
22	020566	1	1	1	1	Sleeve
23	020597	1	1	1	1	Spring Holder
28	*	1				Hex HD Bolt 3/8 UNC x 7/8
28	*				1	Hex HD. Bolt 3/8UNC x7/8 ZN PL
28	*		1	1		Hex HD. Bolt 3/8 UNC x 7/8 SST
29	*	2	2	2	2	Pipe Plug 3/4 NPT
30	*			1	1	Key 3/16 x 1.375
30	*	1	1			Key 3/16 x 1.25
31	*			1	1	Washer
31	*	1	1			Washer
32	*	1	1	1	1	Washer 1/4

* Standard Hardware Item
+ Consult Factory